

**Features**

- Controlled via Kathrein RFID Antenna Interface ©KRAI
- Dynamic and static polarization switching (Circular LHCP/Circular RHCP/Linear horizontal/Linear vertical)
- Low axial ratio for optimum performance
- 4 LED visualisation freely programmable (High-end LED)
- Signal and controlling via standard antenna coaxial cable
- Read range\*: up to 12 m (\* depending on tag properties, environment and requirements)
- Optimized for portal applications, Suitable for use in industrial environments
- High IP67 degree of protection; suitable for outdoor use



**General Specifications**

Order No.		52010335	52010336
Type		WRA 7070 ©KRAI Antenna Unit	WRA 7070 ©KRAI Antenna Unit
Frequency range	[MHz]	865 - 868	902 - 928
©KRAI			✓
LED visulatization		High-end LED (freely programmable)	
Polarization circular		LHCP / RHCP *	
Antenna gain	[dBiC]	typ. 6.5	
Axial ratio	[dB]	typ. 2	
Polarization linear		horizontal/vertical	
Antenna gain	[dBiC]	7.0	
VSWR		typ. 1.4:1	typ. 1.8:1
Front-to-back ratio	[dB]	> 18	
Impedance	[Ohm]	50	
max. input power	[dBm]	-	+30 (at antenna port) (FCC15.247)
Max. radiated power	[dBm]	+33 e.r.p. (ETSI EN 302 208)	+36 EIRP (FCC15.247)
Far field half-power beam width	[°]	65	
Connection		TNC female	
Weight	[kg]	1.7	
Degree of protection		IP67	
Operating temperature range	[°C]	-20 to +55	
Storage temperature range	[°C]	-40 to +85	
Dimensions (L x W x H)	[mm]	300 x 300 x 49	
Packing size (L x W x H)	[mm]	approx. 350 x 350 x 80	
Material			
Antenna cover		tough, weather-resistant polymer blend, colour: RAL7045	
Chassis		aluminium	
Patch plate		brass tin-plated	
Seals		thermoplastic elastomer	

\* left-/right-hand circular polarization

**Remarks**

**Notes**

- The antenna can be operated only in conjunction with a ©KRAI Reader when commissioning the antenna is circular RHC polarized

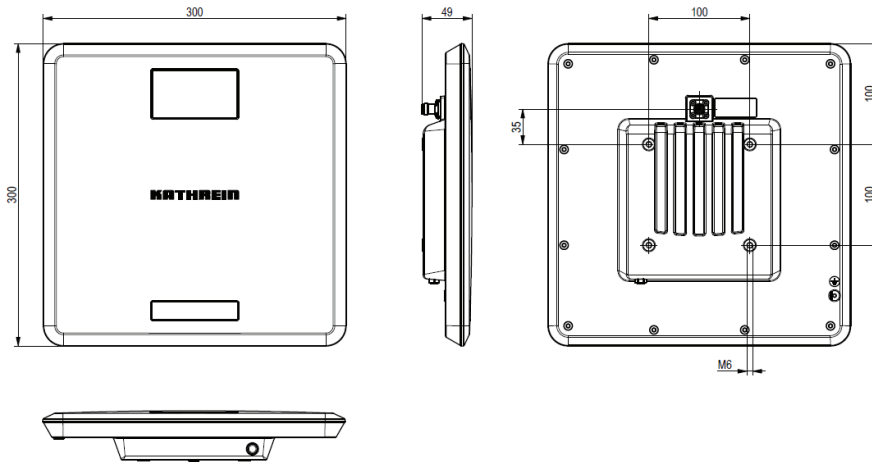
**Mounting options**

- Four M5 drill holes at intervals of 100 x 100 mm

**Accessories optional**

- All accessories can be found at: <https://http://www.kathrein-solutions.com/products/hardware/accessories>

## ➤ Dimensions [mm]



## Description

For classic far field applications with large reading distances, the Wide Range Antennas (WRA) are the optimal choice: they are characterised by a very low axial ratio for circular polarization, whereby the dependence of reading results upon the position or a lignment of tags is significantly reduced. For this reason they are also the ideal solution for portal applications in addition to many other application possibilities.

## Key Application

- Gate applications for goods registration
- Logistics
- Vehicle registration
- Bulk and single tag applications